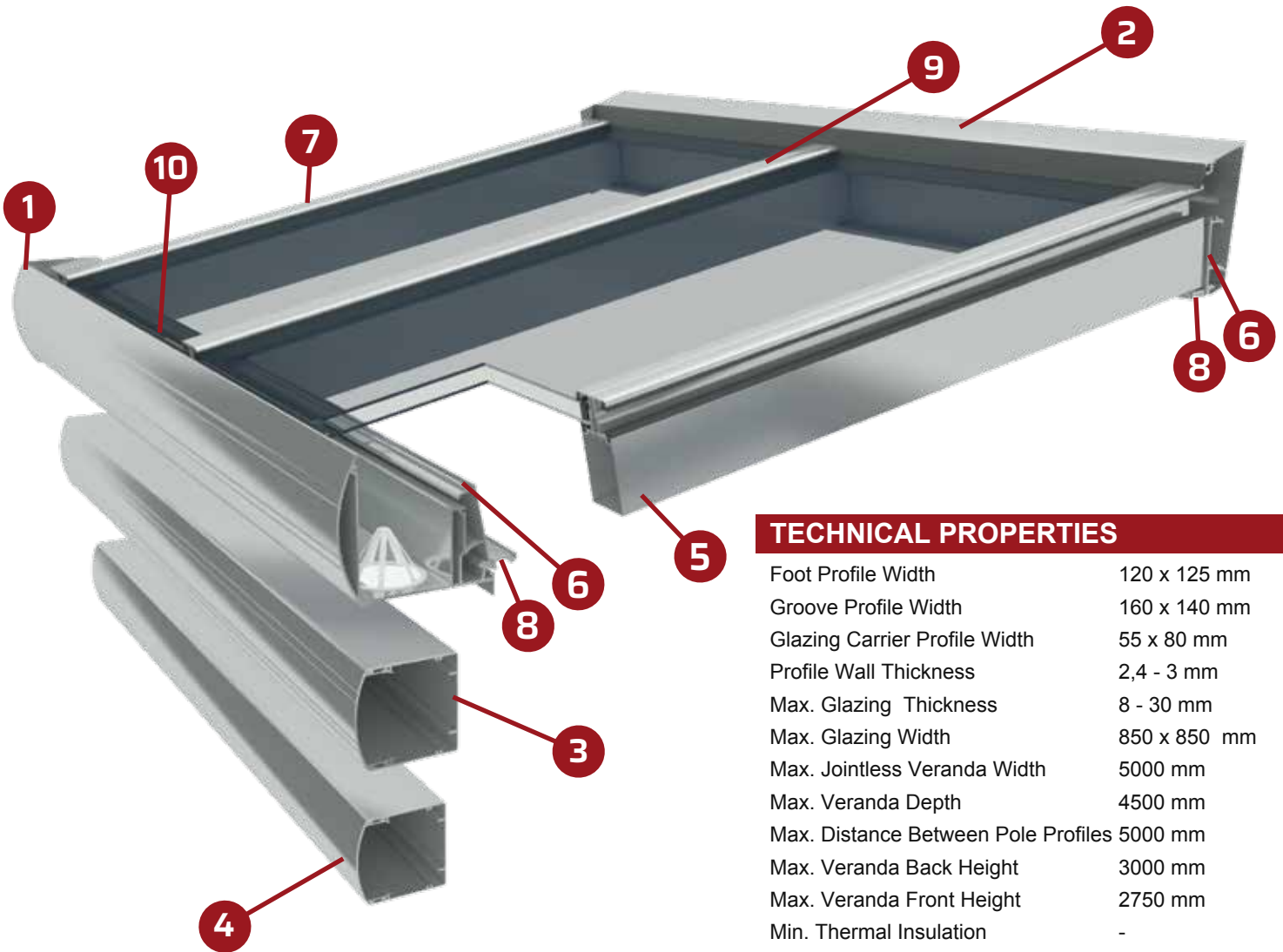
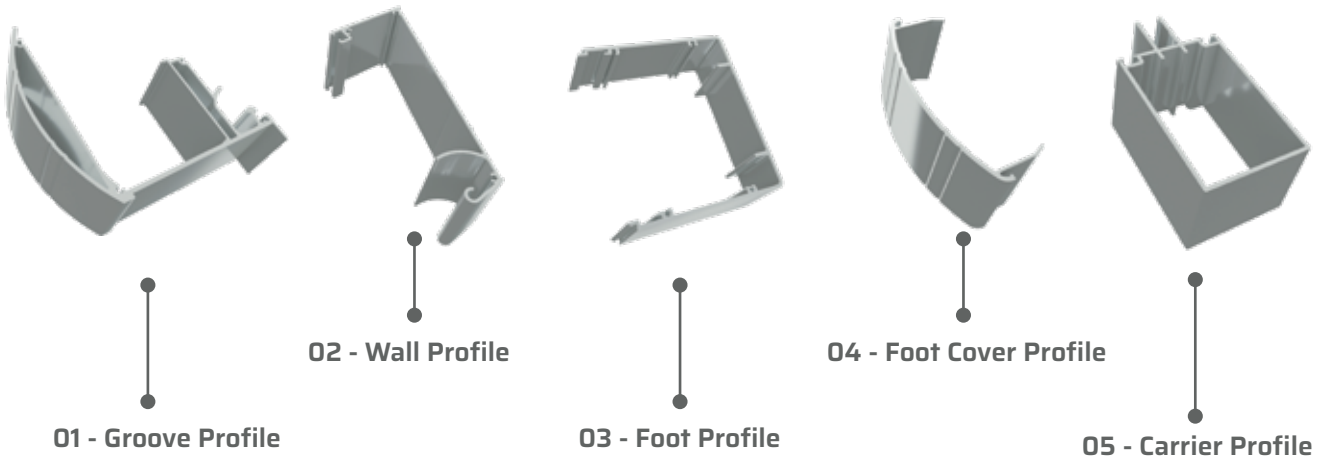


► MROUND

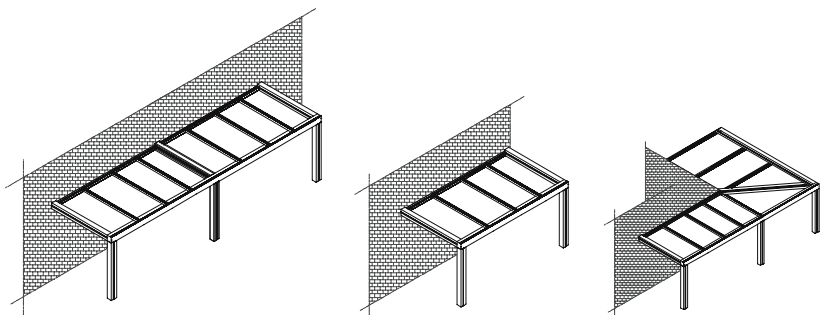


TECHNICAL PROPERTIES

Foot Profile Width	120 x 125 mm
Groove Profile Width	160 x 140 mm
Glazing Carrier Profile Width	55 x 80 mm
Profile Wall Thickness	2,4 - 3 mm
Max. Glazing Thickness	8 - 30 mm
Max. Glazing Width	850 x 850 mm
Max. Jointless Veranda Width	5000 mm
Max. Veranda Depth	4500 mm
Max. Distance Between Pole Profiles	5000 mm
Max. Veranda Back Height	3000 mm
Max. Veranda Front Height	2750 mm
Min. Thermal Insulation	-

APPLICATION OPTIONS

- Groove Reinforcement
- Carrier Reinforcement
- Straight Veranda (Joint - Jointless)
- L Type Veranda



11 - Gaskets





06 - Angle Profile



07 - Side Cover Profile



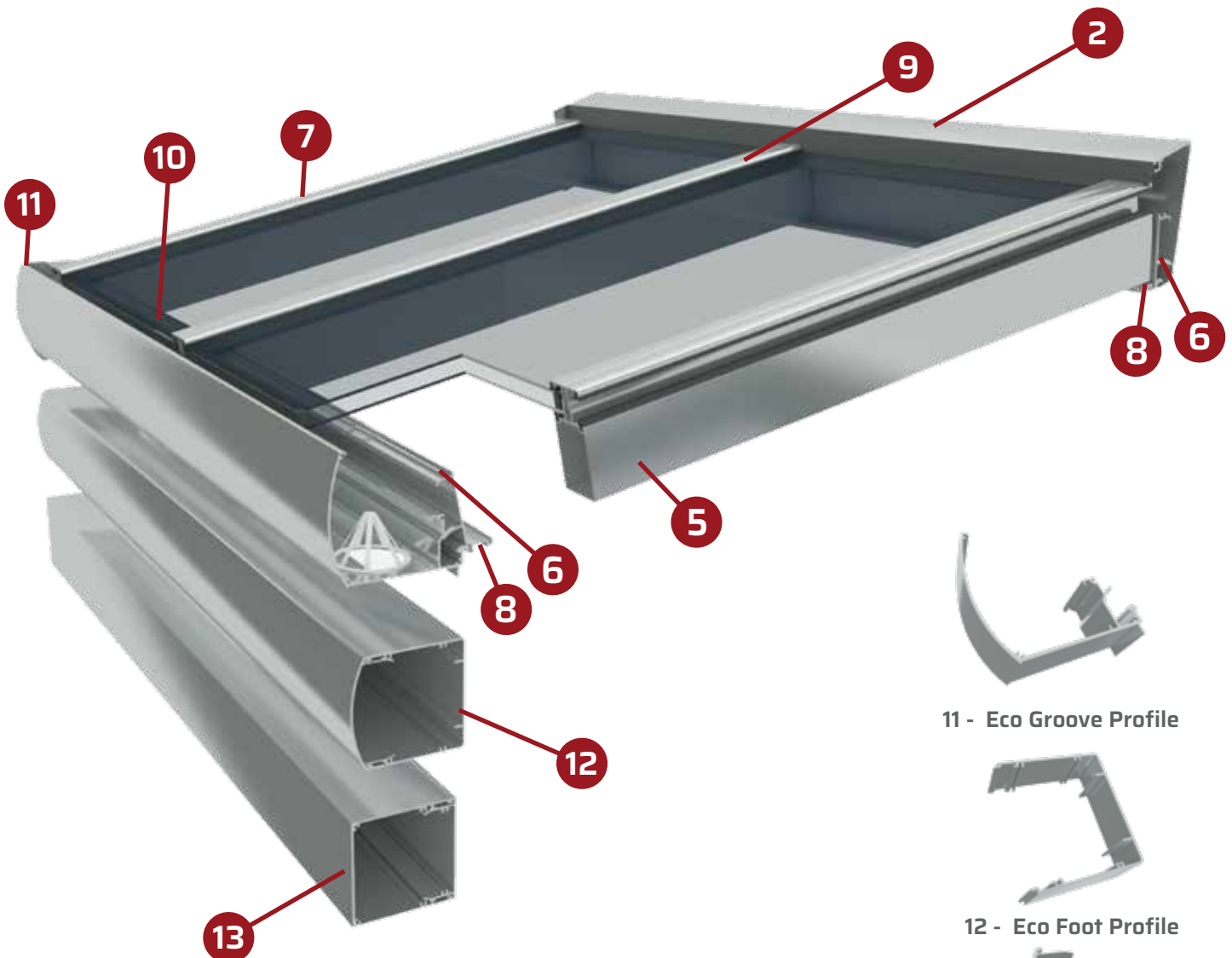
08 - Angle Cover Profile



09 - Middle Cover Profile



10 - Polycarbon Profile



11 - Eco Groove Profile

12 - Eco Foot Profile

13 - Eco Foot Cover Profile

Complementary Products

