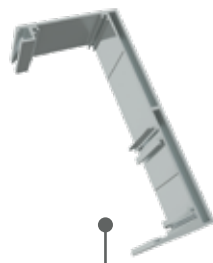
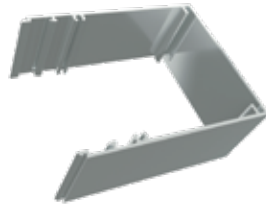


01 - Groove Profile



02 - Wall Profile



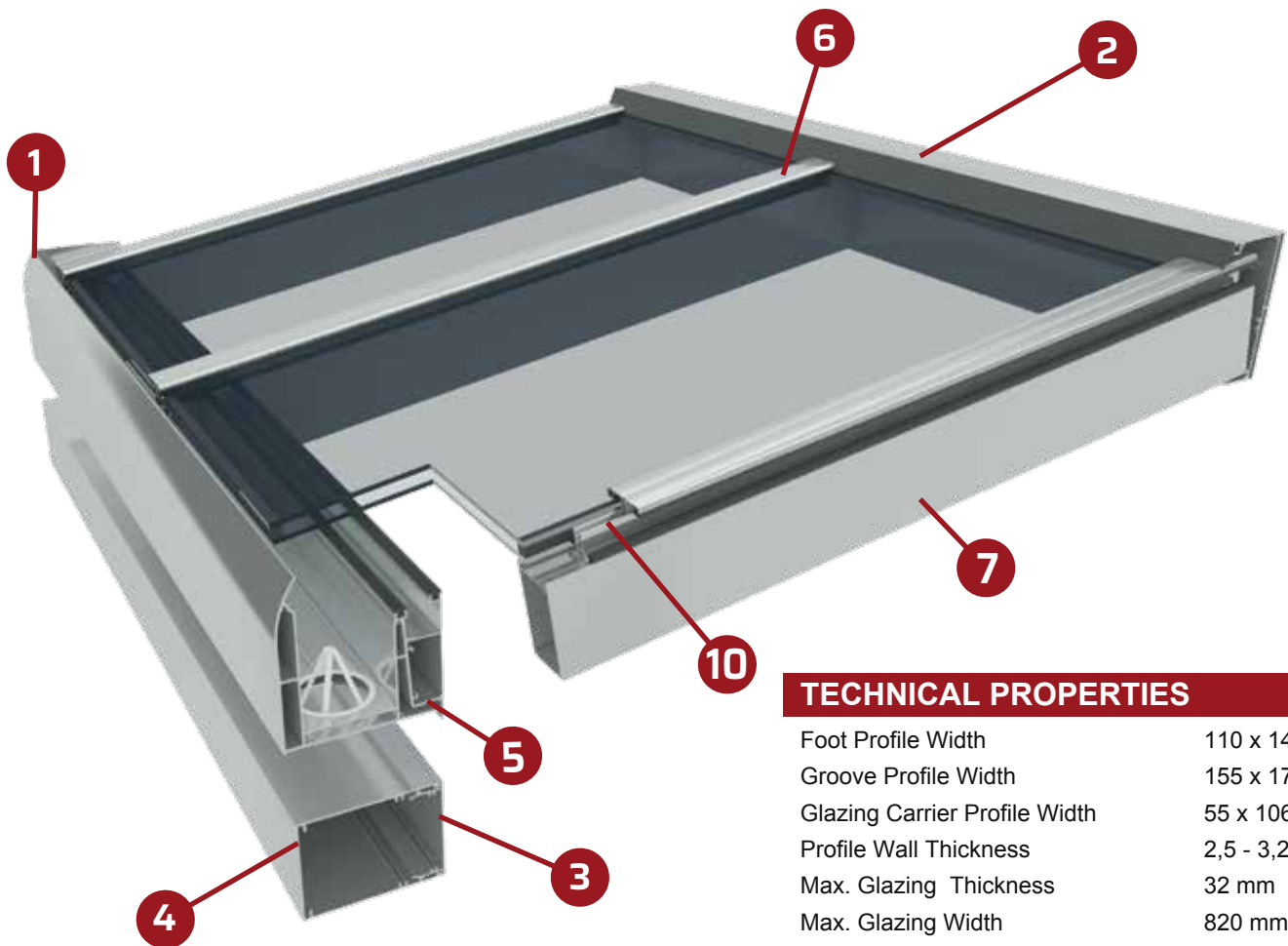
03 - Foot Profile



04 - Foot Cover Profile



05 - Angle Profile

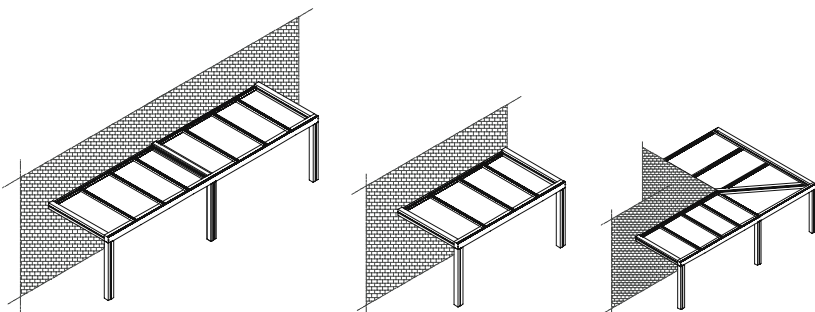


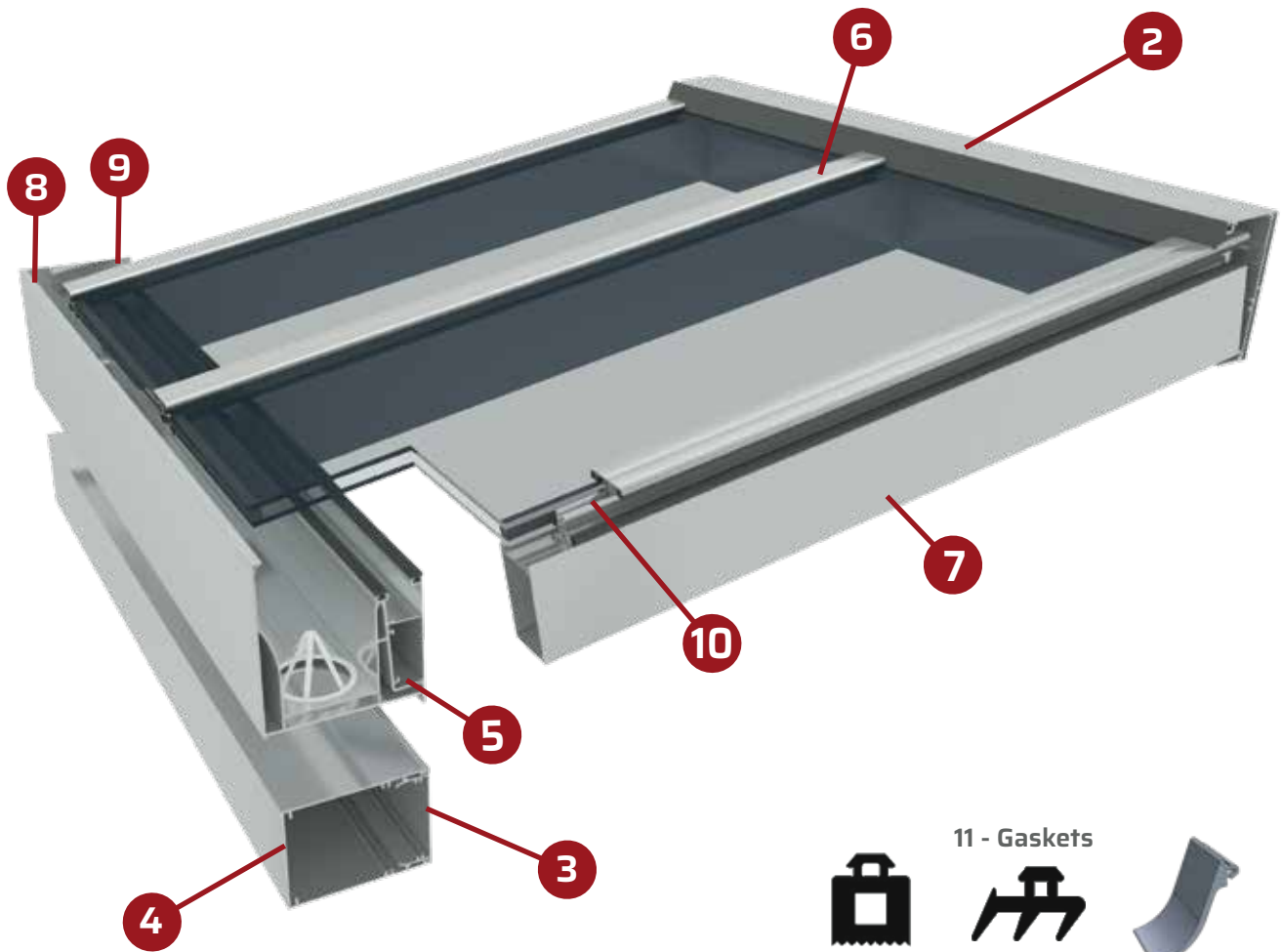
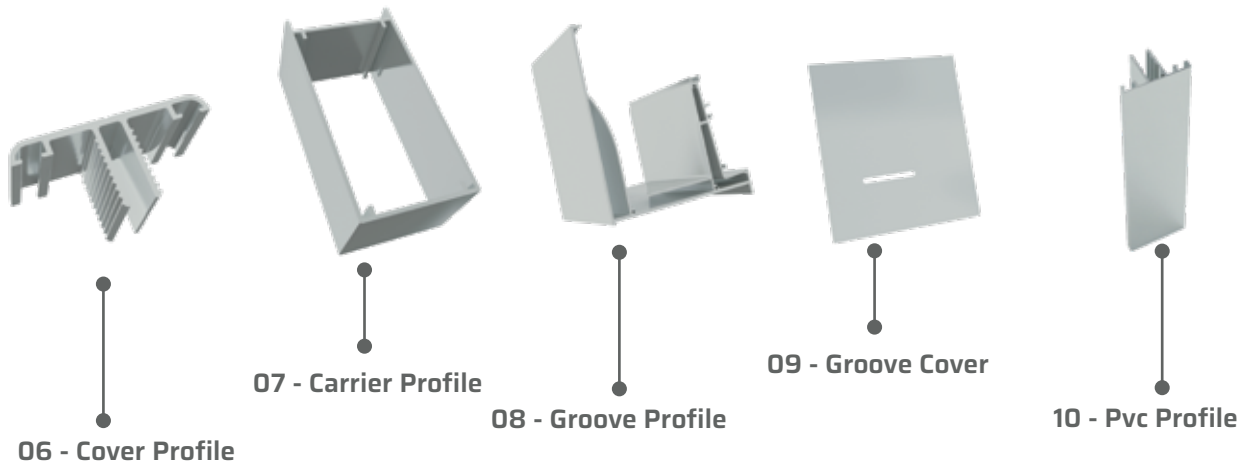
**TECHNICAL PROPERTIES**

Foot Profile Width	110 x 143 mm
Groove Profile Width	155 x 170 mm
Glazing Carrier Profile Width	55 x 106 mm
Profile Wall Thickness	2,5 - 3,2 mm
Max. Glazing Thickness	32 mm
Max. Glazing Width	820 mm
Max. Jointless Veranda Width	7000 mm
Max. Veranda Depth	5200 mm
Max. Distance Between Pole Profiles	6000 mm
Max. Veranda Back Height	3000 mm
Max. Veranda Front Height	2750 mm
Min. Thermal Insulation	-

**APPLICATION OPTIONS**

- Groove Reinforcement
- Carrier Reinforcement
- Straight Veranda ( Joint - Jointless)
- L Type Veranda





11 - Gaskets



**COMPLEMENTARY PRODUCTS**

