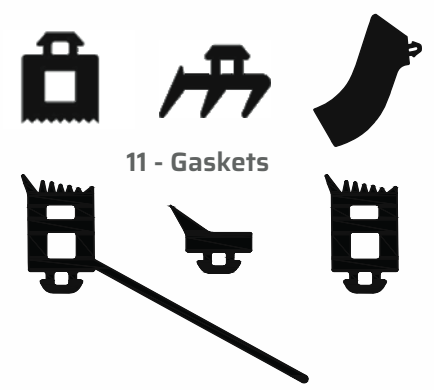
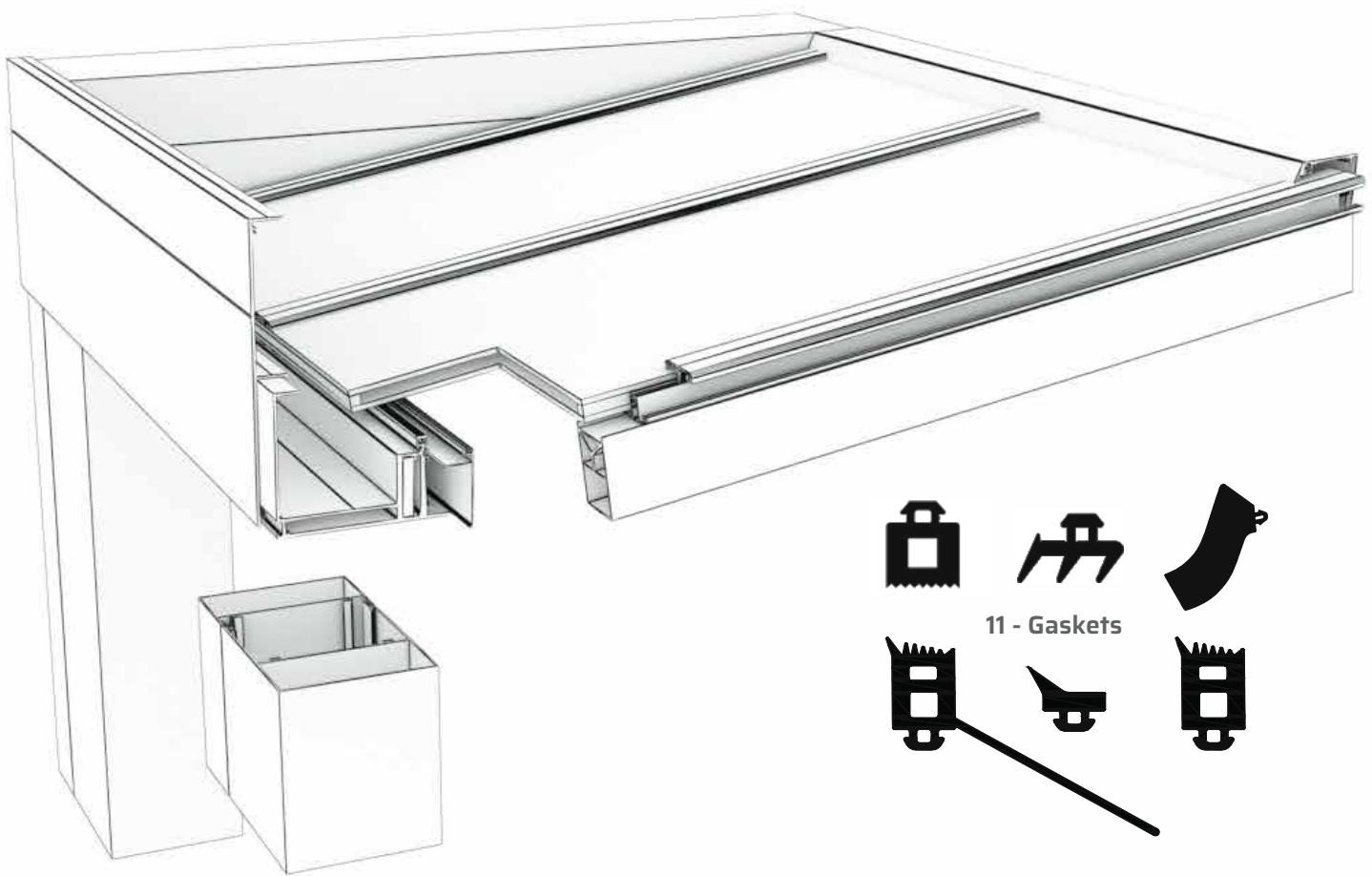


TECHNICAL PROPERTIES

Foot Profile Width	185 x 300 mm
Groove Profile Width	190 x 306 mm
Glazing Carrier Profile Width	55 x 106 mm
Profile Wall Thickness	4 - 10 mm
Max. Glazing Thickness	32 mm
Max. Glazing Width	820 mm
Max. Jointless Veranda Width	7000 mm
Max. Veranda Depth	5500 mm
Max. Distance Between Pole Profiles	7000 mm
Max. Veranda Back Height	3000 mm
Max. Veranda Front Height	3000 mm

APPLICATION OPTIONS

Groove Reinforcement	✓
Carrier Reinforcement	✓
Straight Veranda (Joint - Jointless)	✓
L Type Veranda	✓



COMPLEMENTARY PRODUCTS

