

01 - Groove Profile



02 - Groove Intermediate Profile



03 - Groove Cover



04 - Carrier Profile



05 - Carrier End Profile



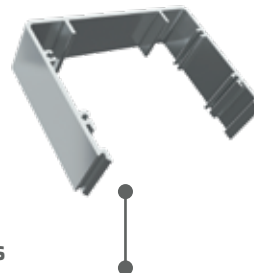
14 - Angle Profile



15 - Intermediate Profile



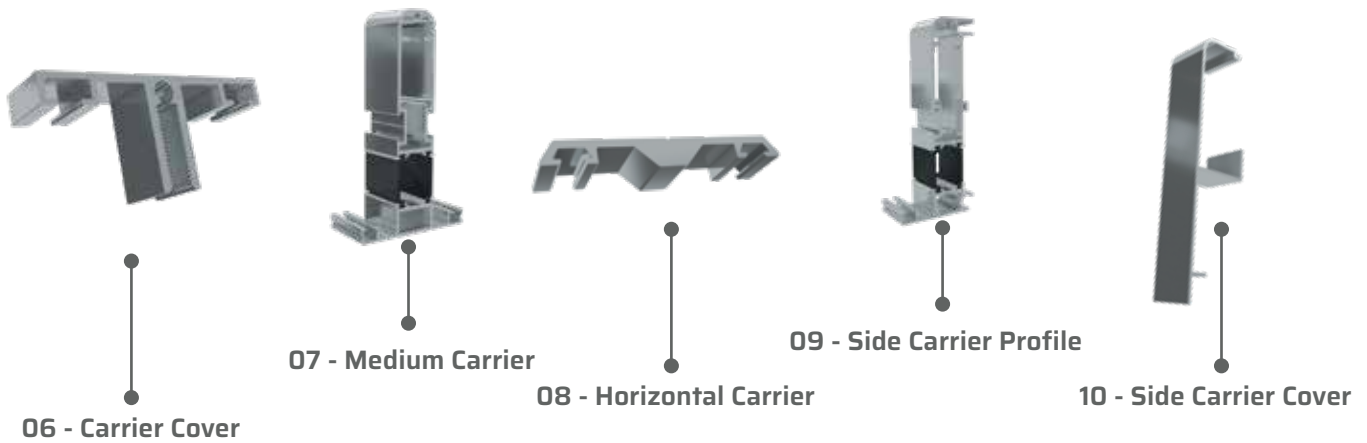
16 - Connection Apparatus



17 - Water Drain Foot



18 - Water Drain Foot Cover



TECHNICAL PROPERTIES

Foot Profile Width	123 mm
Groove Profile Width	104 mm
Glazing Carrier Profile Width	82-113 mm
Profile Wall Thickness	1,5 - 3 mm
Max. Glazing Thickness	32 mm
Max. Glazing Width	820 mm
Max. Jointless Veranda Width	4500 mm
Max. Veranda Depth	3500 mm
Max. Distance Between Pole Profiles	4500 mm
Max. Veranda Back Height	3000 mm
Max. Veranda Front Height	2500 mm
Min. Thermal Insulation	Uf: 1,85 W/(m ² .K)



11 - 90 Degree Foot Profile







12 - Wall Connection Profile



13 - Wall Cover Profile

APPLICATION OPTIONS

- Groove Reinforcement 
- Carrier Reinforcement 
- Straight Veranda (Joint - Jointless) 
- L Type Veranda 

Complementary Products



Gaskets

