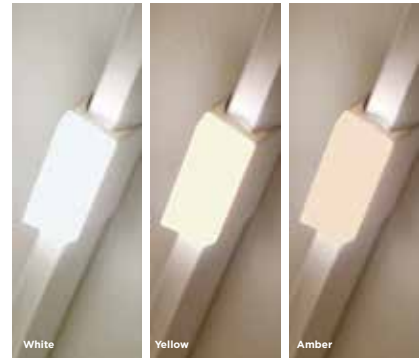
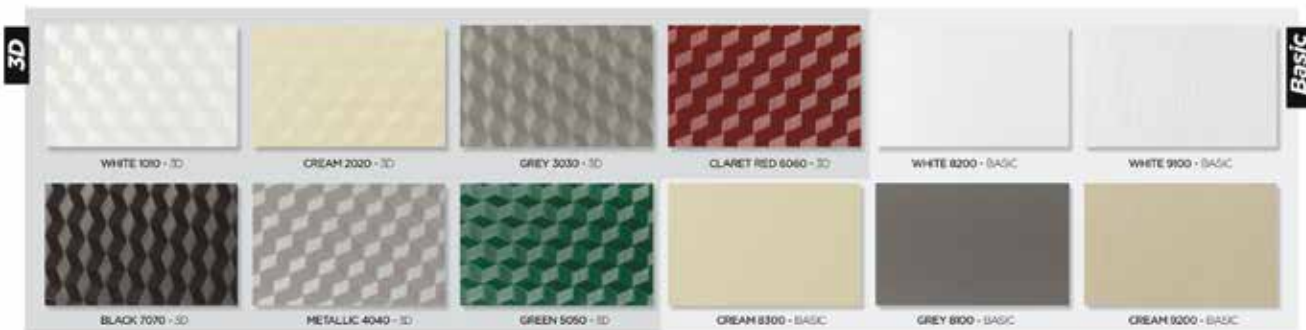




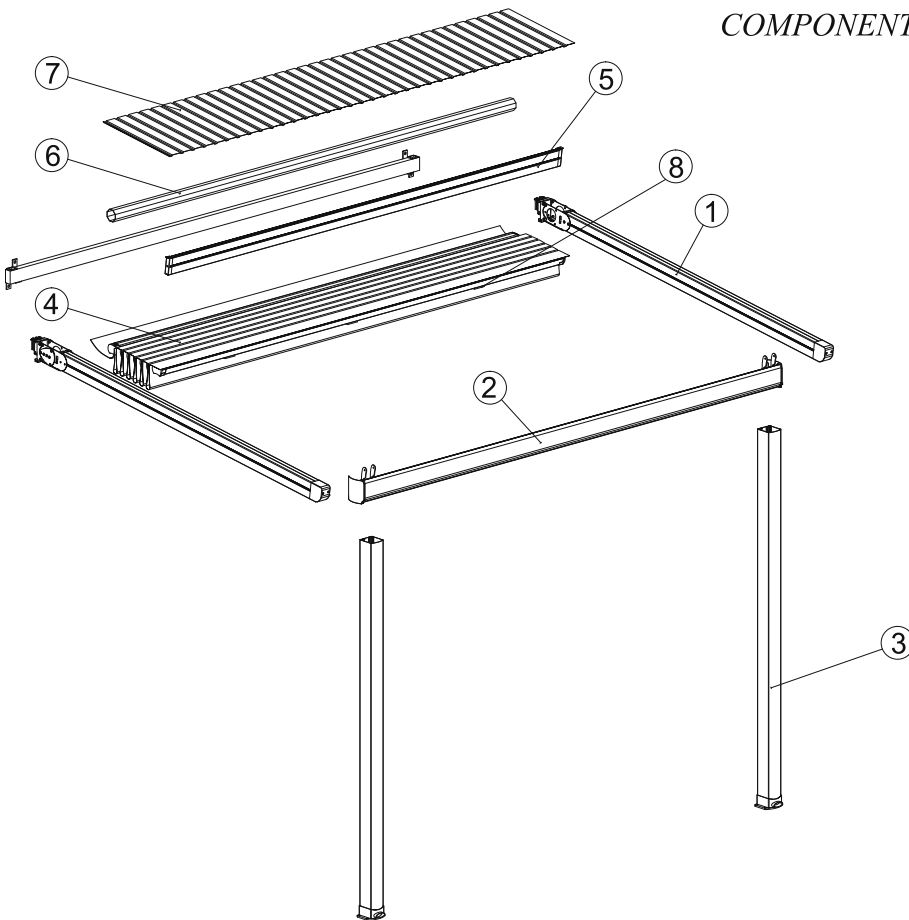
Lighting



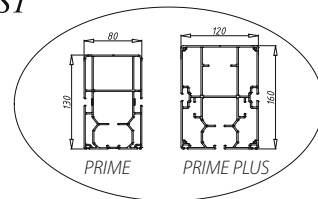
Material



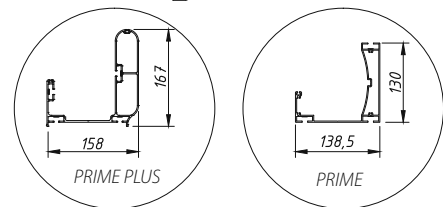
COMPONENT LIST



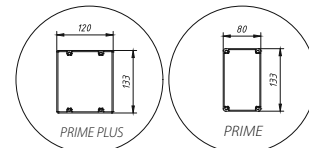
1 RAIL



2 GUTTER



3 PILLAR



5 ALUMINIUM COVER SUPPORT

